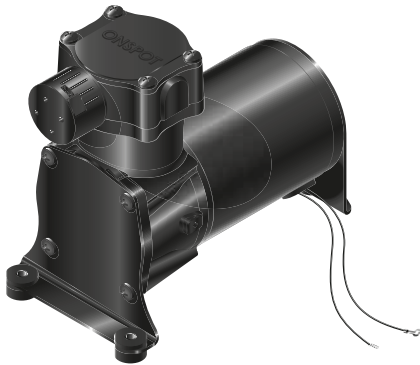
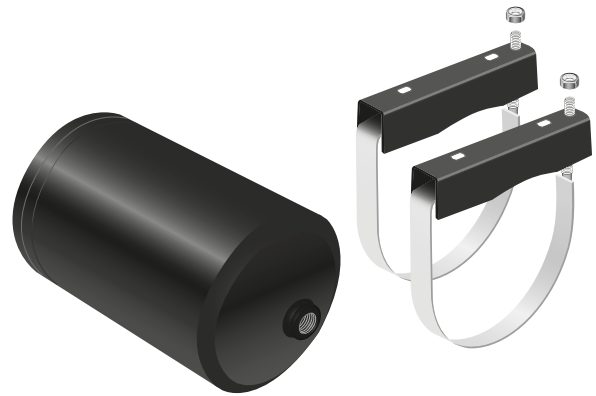


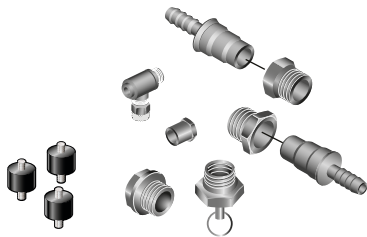
## Spare parts air compressor kit 12V



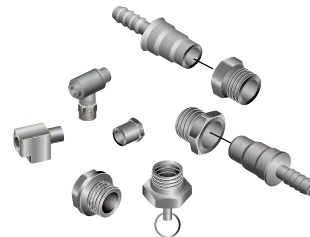
56-255300 Spare part kit Compressor  
1 x Compressor



56-245500 Spare part kit Air tank  
1 x Air tank  
2 x Tank belt



56-245400 Spare part kit fitting  
(Compressor 56-245200)  
1 x Fitting 90° 1/8"  
2 x Fitting  $\varnothing$  6  
2 x Fitting M22x1,5  
1 x Drain  
1 x Plug M22x1,5  
1 x Fitting 1/4"-1/8"  
3 x Rubber foot  
3 x Nuts M4



56-255400 Spare part kit fitting  
1 x Fitting 90° 1/8"  
2 x Fitting  $\varnothing$  6  
2 x Fitting M22x1,5  
1 x Drain  
1 x Plug M22x1,5  
1 x Fitting 1/4"-1/8"  
1 x T-joint 1/8"NPT



56-257400 Spare part kit micro switch  
1 x Micro switch



56-257200 Power manometer

Connect the Power manometer together with the compressor kit to show the current air pressure in the Onspot system. A valve is fitted on the Power manometer bracket in order to fill with air or connect compressed air when parking so that the system always has the correct working pressure. There is also a recess to install the Onspot button.



56-704100 1 st Automatic drain valve kit for air tank