



→ Lift for vans, trucks, trailers and semi-trailers

DH-VZS.03 • 350 kg



In its travel position, the interior lift **DH-VZS** is stowed against the side of the body and offers the driver **quick and free access** through the vehicle doors. Upon use, the platform is simply pulled out and opened by hand. As the platform slides straight towards the door exit, the floor space beside it can be fully occupied by cargo (as opposed to the DH-VZ.03). A wander lead with spiral cable is used to operate the platform up and down.

The DH-VZS is perfectly suitable to handle roll cages, small machines and equipment, white & brown goods, packages, e-business,...

It fulfills the needs of the professionals of the **urban distribution**, the vehicle **rental business** and the **occasional user** wanting to maximize the flexibility of his vehicle.

Lift capacity

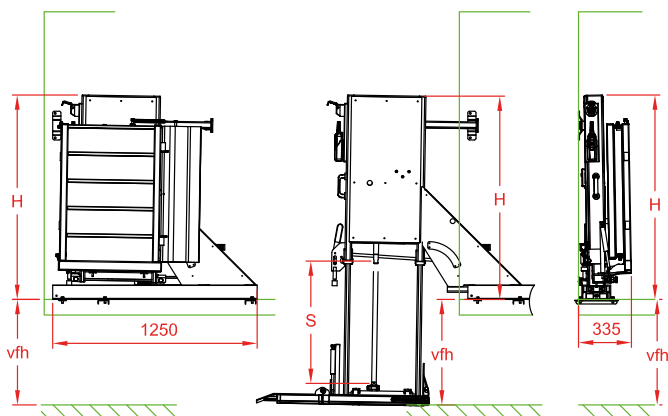
CAP	CG	LM
350 kg	500 mm	1.75 kNm

Weights [see pg. 19]

ALU platform	
1000x820 mm	155 kg

Offering free access & maximum interior loading space

mounted
left side



Fitting dimensions

Stroke S	750	850	1150	1550 (*)
vfh max.	620	720	1020	1420
H	1250	1350	1650	2050

(*) optional

Technical specifications

Lift frame	Telescopic lift frame, sliding in / out on a rail mounted to the vehicle floor
Cylinders	1 lift cylinder
Type of ride [see pg. 8-9]	Flat platform, level ride
Retraction in / out	Manual, the platform is pulled out and opened by hand
Platform material	Steel frame + aluminium anti-slip top plate
Standard platform dimensions	1000x820 mm or 1050x1030 mm Other dimensions on request [OAP804]
Platform specifications	<ul style="list-style-type: none"> • Flat platform for easy access • Fixed leading edge at the outboard side • Articulated bridge plate at the inboard side • Platform is folding for compact storage
Fitting	<ul style="list-style-type: none"> • Easy, universal mounting to a wide range of commercial vehicles • Can be mounted left or right, at the rear doors or side doors
Std. control unit [see pg. 11]	OAE001
Standard finish of the lift frame	Protection PLUS [OAT102]