

Fold-away lift DH-RM.20

1500 - 2000 Kg



DHOLLANDIA



Heavy-duty fold-away lift with 2 lift cylinders

The DH-RM.20 is an extremely versatile and robust lift, equipped with a **wide arm center and 2 lift cylinders**. It offers a **level ride** between the vehicle floor and the ground, plus **automatic tilt at ground level**. This **premium lift** is the best suited fold-away lift for demanding distribution, incl. high stack pallets and roll cages.

The fold-away storage of this lift offers free access to the cargo space, and is ideal for operations needing frequent access to **loading docks**. The DH-RM.20 can be mounted to a wide range of trucks and (semi-)trailers, incl. refrigerated bodies [option OAP628].

There are 2 executions: the DH-RM.20 with fixed stabilizers, and the DH-RMC.20 with tilt cylinders and **adjustable platform orientation**. Power-down is available as an option [OAH025.1].

The special model DH-RMV.20 is specially designed for truck-trailer combinations.



PLATFORM

- Reinforced steel base section with aluminium point, or weight saving full aluminium platform [option OAP601]
- The folding and unfolding of the platform are assisted by powerful torsion springs

FUNCTIONAL & MECHANICAL CHARACTERISTICS

- Conical / wedge platform. Level ride with automatic tilt at ground level
- Fixed stabiliser rods, no adjustable platform orientation [see options]

HYDRAULICAL CHARACTERISTICS

- 2 lift cylinders for maximum platform stability
- Electrical safety valves on all cylinders
- Manual emergency operation on all electrovalves
- Cylinder piston rods in hard-chromed stainless steel
- Cylinders equipped with rubber gaitors and lubrication
- Pump unit 12V or 24V DC, accessible on 5 sides for easy maintenance

ELECTRICAL CHARACTERISTICS

- Exterior control box with main battery isolator switch and removable key [OAE030.BT.0]
- Electrical controls without sensitive electronic components
- Safe exterior controls with compulsory 2-hand operation
- Electric motor with thermal cut-out fuse

FITTING

- Bolt-on mounting plates for quick and easy fitting [OAM010]
- Very stable construction with wide arm width for mounting outside of the chassis beams
- Integrated floor plate for flush mounting available as an option [OAM003 / 004]
- Fixed 3-piece bumper bar available as option [OAF100.ST]

FINISH & MAINTENANCE

- Low-maintenance bearings in all articulation points, plus grease nipples
- Alu platform or platform sections in natural finish

Disclaimer: data and images of lifts and options are indicative, and may vary in function of the lift execution and vehicle details. Ask confirmation from DHOLLANDIA.



TECHNICAL CHARACTERISTICS
DH-RM.20

Lift frame	150 x 150 mm
Cylinders	2 lift cylinders + 2 fixed stabilisers (DH-RM) or 2 tilt cylinders (DH-RMC)
Type of ride	Wedged platform, level ride with automatic tilt at ground level
Platform material	Steel / Alu or Alu / Alu
Standard platform depths	1300 - 1500 - 1600 mm
Standard platform widths	- 2000 - 2150 - 2200 mm - 2350 mm on request [option OAP603]
Lift arm lengths	840 - 940 - 1000 mm
Lift arm widths	1135 - 1385 mm
Mounting	- With floor plate [option OAM003] - N-A bed extension plate + side ladders [OAM051 + OAM052.LR] - Adapted for refrigerated floor [option OAP628]
Standard control unit	OAE030.BT
Standard finish of the lift frame	Protection PLUS [OAT102]

MOUNTING DIMENSIONS
DH-RM.20

larm	880	1000	1050(*)
K max.	1390	1560	1660
K min. loaded	1000	1110	1210
C max.	720	815	910
C min.	500	500	400
CO max.	670	745	750
M at C max.	940	1050	970
M at C min.	1125	1260	1300
V max.	1250	1450	1600(*)





OAE001 - 2-button wander lead with spiral cable



OAE015.PR - 2 function toggle switch control (principal control)



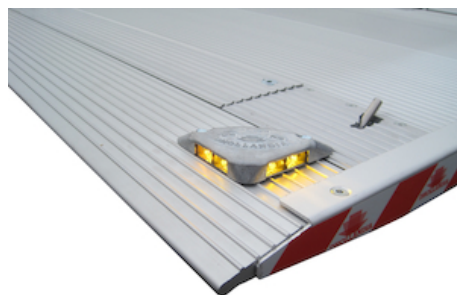
OAE015.O - 2 function toggle switch control (option)



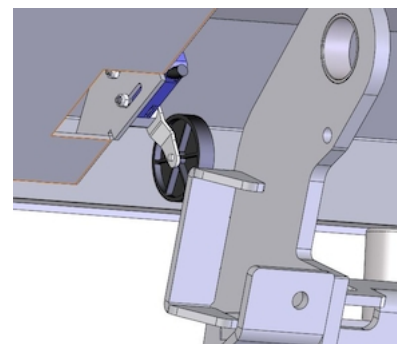
OAE030.BT.0 - Exterior joystick control box + main battery isolator switch (+ turn switch)



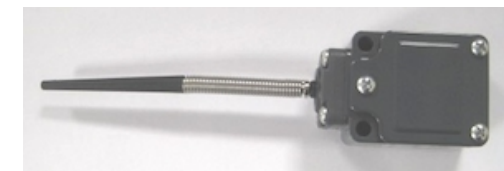
OAE041.BP.0 - Arctic push-button control box + main battery isolator switch (+ push button)



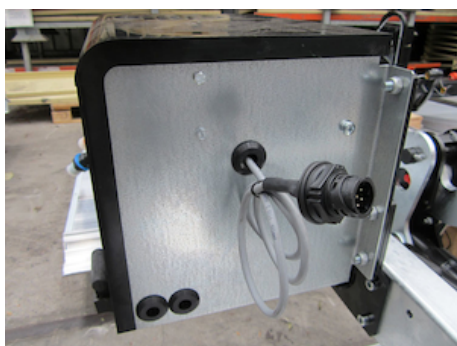
OAE200 - Flashing platform lights



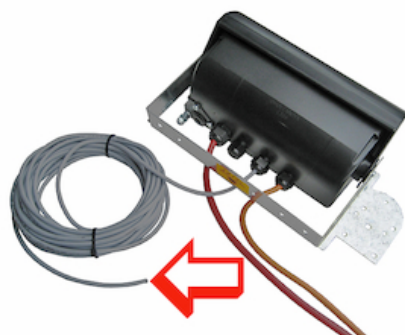
OAE205 - Limit switch + buffer DH-R*



OAE213 - Limit switch E0387 (supplied loose)



OAE500 - VEHH plug connection for dashboard switch



OAE501.12 - VEHH wire connection for dashboard switch 12 m



OAE503.1 - Cabin switch (single use)



OAE503.2 - Cabin / dashboard switch



OAF100.ST - Fixed 3-piece bumper in steel, mounted to the lift frame

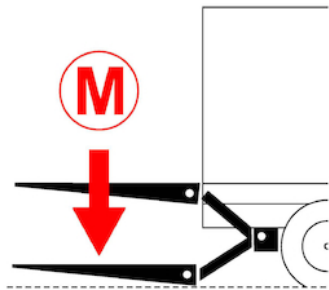


OAF106 - Fixed 3-piece bumper in steel + integrated box for rear truck lights

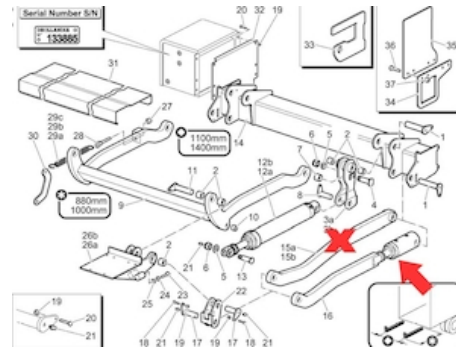


OAH002 - Arctic winter oil -52°C

OAH001 - Winter oil -30°C



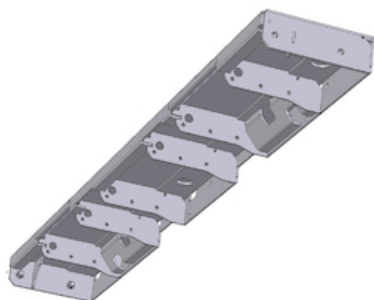
OAH025.1 - POWER DOWN function + 1 starter solenoid



OAH036 - Execution with adjustable platform orientation (tilt cylinders)

OAM003 - Rear floor traverse RC10/RC20/RM20

OAM046.1 - Mounting bar lift cylinders DH-R*



OAM051 - Bed extension plate (N-A)

OAM052.LR - 2 side ladders L+R for OAM051

OAM053 - Widening blocs for bed extension L+R

OAM054 - Walk-ramp kit for DH-R*





OAM057.LR - 2 side ladders L+R for OAM041_051 (flex)



OAP100.A - 2-piece symm. roll-stops in the platform point - AUTOMATIC



OAP601 - Fixed part of folding platform in ALU instead of steel



Non-standard

OAP603 - Non-standard width for foldable platform

OAP628 - Platform hands R... adapted for insulated floor



OAT020 - Reflecting platform flags type TÜV

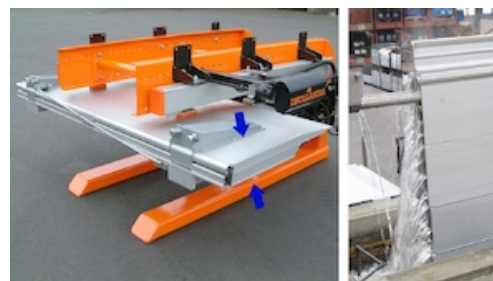


OAT023 - Reflecting platform flags type Export Red



OAT104 - Standard finish of lift frame: hot-dip zinc plated

OAT127.R - GALVA finish for steel part of DHR*/SK platform



OAT136 - Anodisation alu base section + point DH-S and DH-R



OAT137 - Anodisation of foldable alu point



OAU100 - Control box on L side (R steering wheel for UK)

OAU008 - Execution DH-RMV for trailer coupling

