

# Multi-deck column lift DH-VO...D2

1500 - 4000 Kg



# DHOLLANDIA



## Multi-deck column lift with lower beam

The DH-VO... are specially designed to load and unload vehicles with multiple or moving loading floors. All DH-VO... are equipped with a flat platform, offering a smooth and level ride from the various loading floors to the ground (and vice versa).

The DH-VO... have a **cylinder beam at or below the vehicle floor level** , so that the **passage height through the aperture of the vehicle body remains intact** . It is however not suitable for vehicles with a very low floor level.

Lower beam lifts are available in various models, and for different capacity classes. All exterior lifts are equipped with 2 tilt cylinders, hence the platform orientation is adjustable from the exterior controls.



**PLATFORM**

- Platform construction: steel frame with aluminium infill profiles
- Fixed leading edge at outboard platform edge [hinged ramps available as an option]
- Inboard platform edge is equipped with toe-guard profile and safety switch

**FUNCTIONAL & MECHANICAL CHARACTERISTICS**

- Lower beam: operated by 1 single lift cylinder, mounted in a beam at the vehicle floor level, and a set of chains and pulleys
- Double steel cable system: 2 main lift cables + 2 safety cables
- Electrical steel cable rupture detection plus emergency operation
- Lifting height up to approx. 1150 mm under roof level (depending on vehicle dimensions)
- Lifting height in function of the vehicle width
- Flat platform, level ride
- Platform tilt adjustable at any position from the exterior controls

**HYDRAULICAL CHARACTERISTICS**

- Single acting lift cylinder in the lower beam, equipped with a safety valve
- Hydraulic closure. 2 single acting tilt cylinders, positioned horizontally [OVH001.0]
- Robust pump unit with air cooled 24V DC motor, or standard 12V motor, supplied loose for mounting on the vehicle chassis. (12V operation is strongly advised against)
- Electrical safety valves on all cylinders
- Manual emergency operation on all electrovalves

**ELECTRICAL CHARACTERISTICS**

- Exterior control box with main battery disconnect switch and removable key [OAE030.BT.0]
- Electrical controls without sensitive electronic components
- Safe exterior controls with compulsory 2-hand operation

**FITTING**

- Robust steel columns and steel cylinder beam, for welded mounting to the vehicle chassis and the rear frame of the body
- Cylinder beam at floor level suffices as CE-conform toe-guard. CE-conforming toe-guard must be built by the body builder at the outboard edge of the superior loading floor(s) [see also options]

**FINISH & MAINTENANCE**

- Low-maintenance bearings in all articulation points
- Treatment: high-quality zinc primer + polyester powder coating
- Alu platform or platform sections in natural finish
- Not included in basic configuration: toe-guard protection on 2nd and subsequent loading floor(s); and guard rails
- Guard rails are mandatory above 2000 mm lifting height (CE), and strongly recommended for lower lifting heights. See electrical options for platform controls integrated in one of the guard rails.

Disclaimer: data and images of lifts and options are indicative, and may vary in function of the lift execution and vehicle details. Ask confirmation from DHOLLANDIA.





OAE030.BT.0 - Exterior joystick control box + main battery isolator switch (+ turn switch)



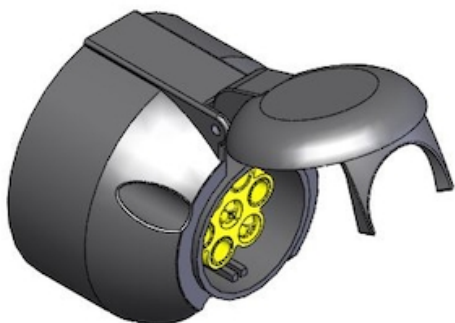
OAE001 - 2-button wander lead with spiral cable



OVE001 - 2-button wander lead + long spiral cable



OVE003.L - Female plug mounted on platform LEFT side



OVE003.R - Female plug mounted on platform RIGHT side



OVE006.L - 4-button foot controls mounted LEFT side



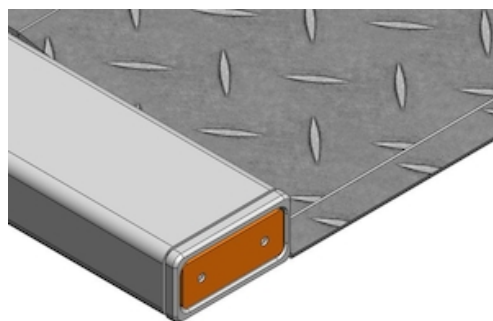
OVE006.R - 4-button foot controls mounted RIGHT side



OAE031.Z.0 - 3+1 button exterior control box without main battery isolator switch



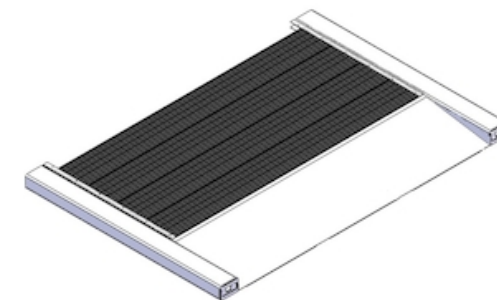
OAE038.A - Main battery isolator switch with demountable key



OVE201.A - Platform lights IN the platform tubes

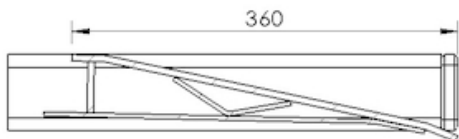


OVE201.B - Platform lights ON TOP of the platform surface

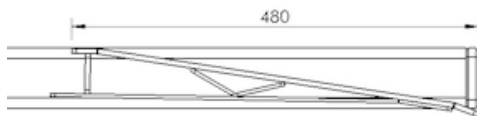


OVP003 - Platform DH-V\* manufactured from steel frame + aluminium profiles

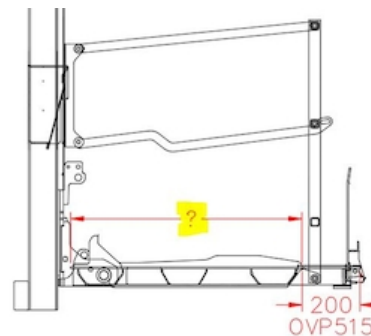




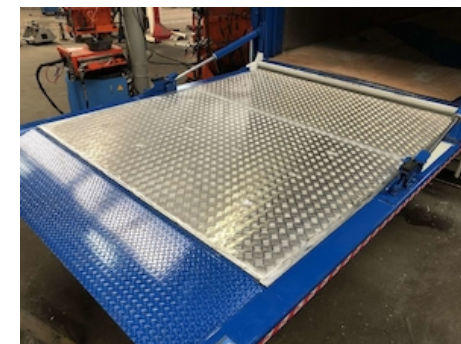
OVP010.360 - Short fixed leading edge 360 mm



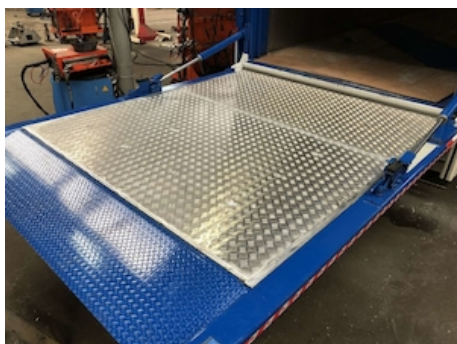
OVP010.500 - Fixed leading edge 500 mm



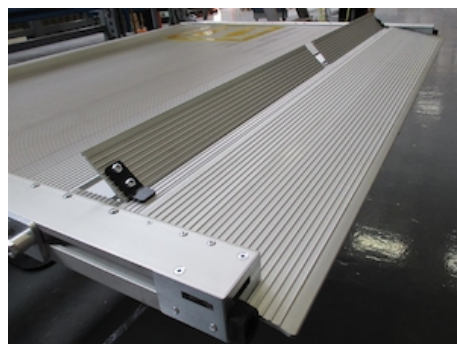
OVP012.S - Extension of the steel platform per 100 mm



OVP020.2000 - 5/7 mm alu tear plate for point load <math>< 2\text{m}</math>



OVP020.3000 - 5/7 mm alu tear plate for point load <math>< 3\text{m}</math>



OVP100.M - 2 manual rollstops in profile before point

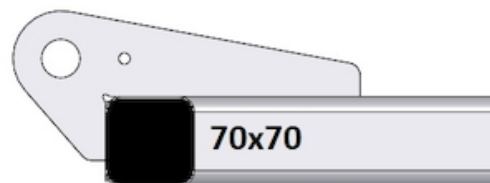
OVP100.A - 2 automatic rollstops in profile before point



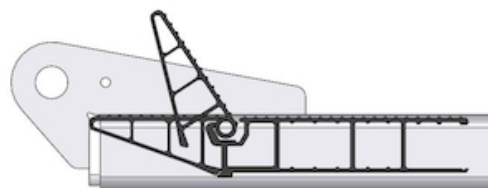
OVP120.S.R - 2 hinged ramps in steel at rear edge of platform



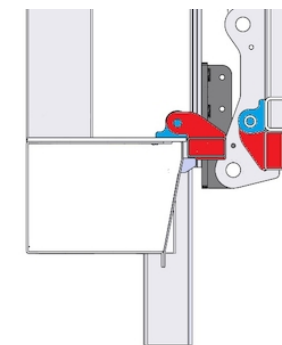
OVP120.S.S - 2 hinged ramps in steel at L+R side edges of platform



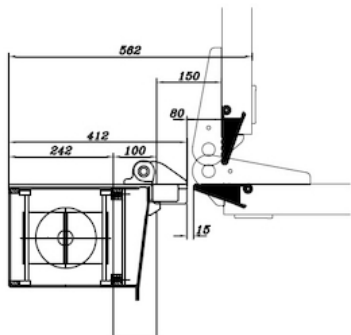
OVP400 - Platform without toe-guard flap



OVP401 - Alu toe-guard flap + safety switch (DD)

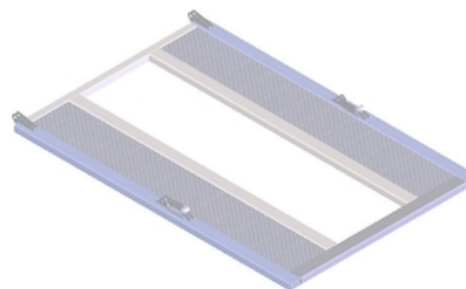


OVP404.S - Double toe-guard flaps steel-steel on VO-B10



OVP404.A - Double toe-guard flaps steel-alu on VO-B10

OVP405 - Extra toe-guard flap for 2nd vehicle floor



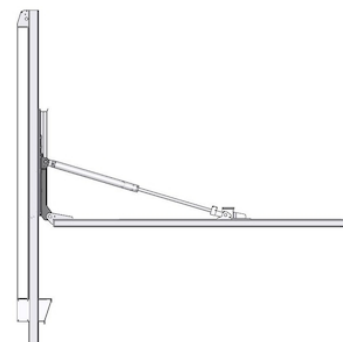
OVP502 - Preparation for middle door with aluminium side profiles



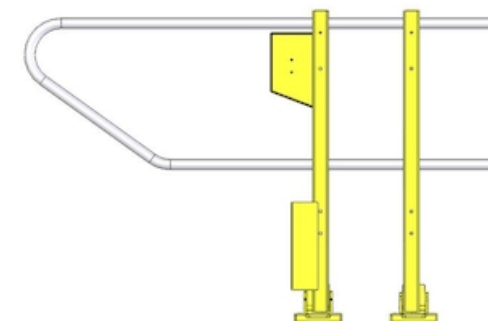
OVP503 - Preparation for middle door without aluminium side profiles

OVP504 - Aluminium platform profiles welded on the outside

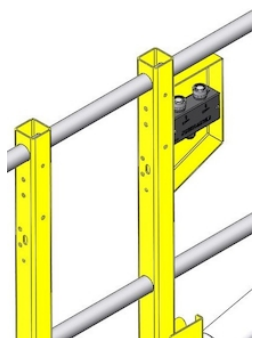
OVP505 - Aluminium platform profiles welded on both sides



OVP300 - Platform supplied without safety rails



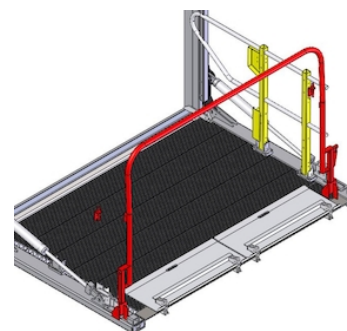
OVP301 - 2 hinged side safety rails L+R - STD



OVE150.L - Toggle-switch up / down control on LEFT-side guard rail



OVE150.R - Toggle-switch up / down control on RIGHT-side guard rail

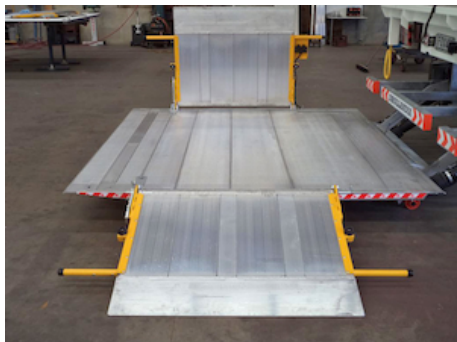


OVP304 - 3-side safety rails for trolleys

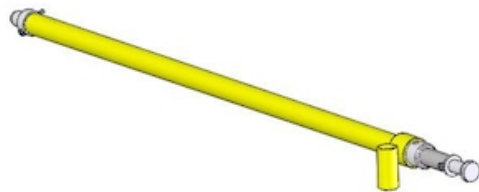


OVP305 - 2 combined side rails / side ramps on the platform L+R

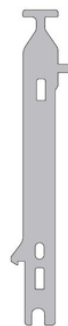




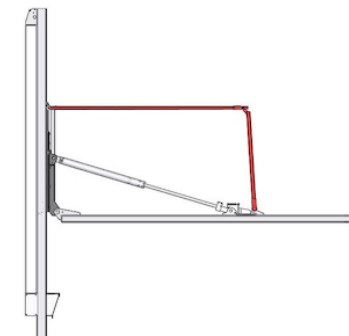
OVP305.B - 2 heavy-duty combined side rails / side ramps on the platform L+R



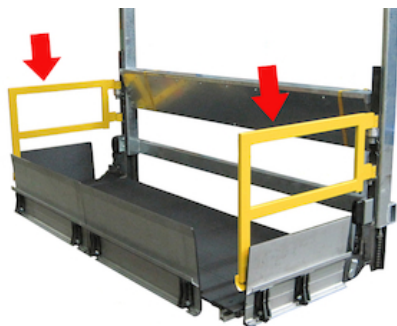
OVP307 - Telescopic fall protection between 2 side rails



OVP309 - Lock for safety rail on platform surface



OVP330 - Automatically folding safety rails VB-VO-VX



OVP350 - Pivotable safety rails on lift runners L+R for DHVO...K1 / VB...E1

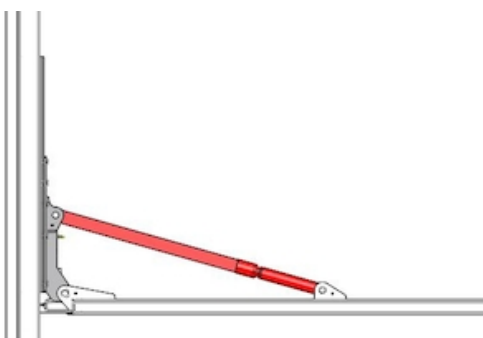


OVP351.01 - Safety rails on lift runners T1 - 3 sides



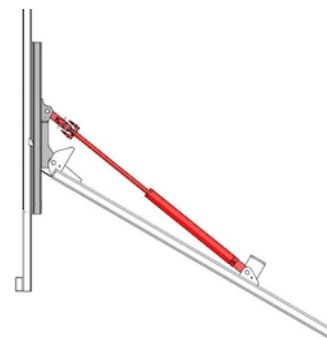
Ovh001.0 - Tilt cylinders mounted horizontally (std.)

Ovh002.1 - Tilt cylinders mounted vertically (option)



Ovh005 - Fixed platform without tilt cylinders

Ovh006.10 - Downward platform inclination to -10°



Ovh006 - Inclination of platform to the ground (-45°)

Ovh007 - Reinforced tilt cylinders VO/VB >2.5T

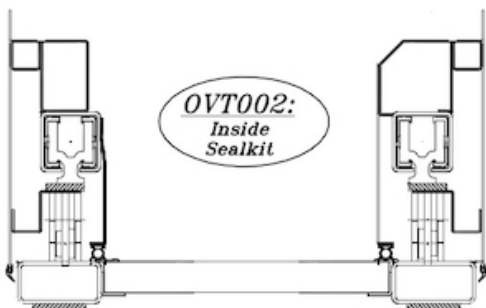


OVH110 - Double acting flow valve V189 open/close

OVH112 - 2 closing speeds (+ extra push button)

OVT100 - Standard paint finish on DH-V\* (2K epoxy + powder coating)

OVT001 - Shrouds + platform seals mounted at the outside of the lift columns



OVT110 - Aluminium profiles of the DH-V\* platform in anodised finish

OVT120.P - Steel platform frame of the DH-V\* in galvanised finish (on demand)



OAT020 - Reflecting platform flags type TÜV

OVT002 - Shrouds + platform seals mounted at the inside of the lift columns



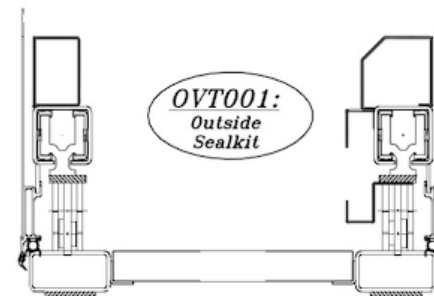
OAT023 - Reflecting platform flags type Export Red

OVF003.2 - Bolt-on fitting VB-VO-VX

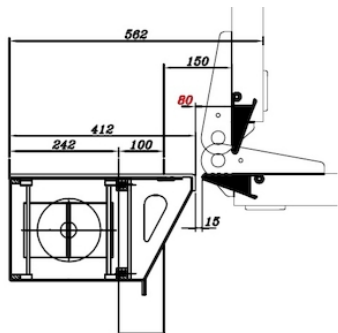
OVF001 - Platform mounted at ...mm above ground level



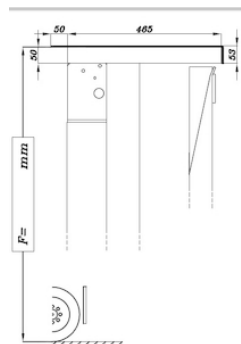
OVF002 - Travel lock pins under the lift runners



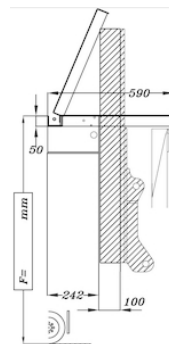




OVF030.80 - Free opening of 80 mm for side rails (VO3)



OVF053 - Roof construction on VO



OVF054 - Roof construction VO + articulated trapdoors



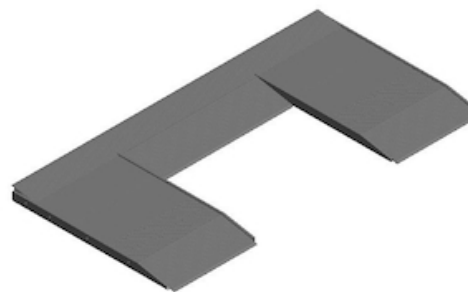
OVF056 - Platform closing hooks at sides / down below



OVU017 - Race execution + standard ramp



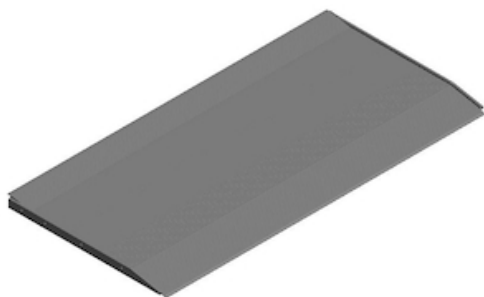
OVU018 - Special Race execution (without the ramp)



OVP200.1100 - Foldable ramp type A 1100 mm



OVP200.X - Foldable ramp type A custom made ...mm



OVP202.1100 - Foldable ramp type B 1100 mm (full width)



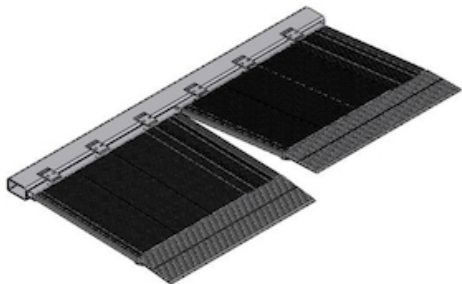
OVP202.X - Foldable rampe type B custom made ...mm



OVP203.1100 - Foldable ramp type C 1100 mm (full width)

OVP203.X - Foldable ramp type C custom made ...mm

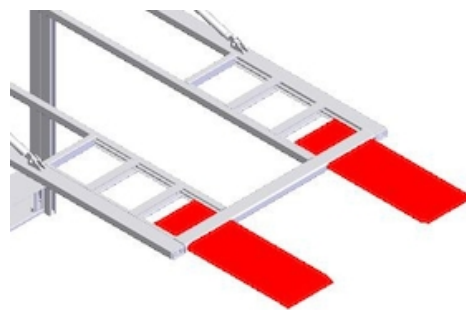




OVP205.1050 - Foldable ramp type E 1050 mm (2 sections)

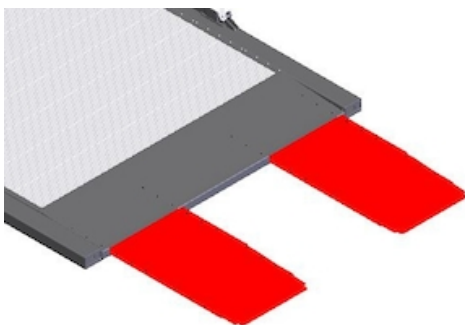


OVP205.X - Foldable ramp type E custom made ...mm (2 parts)

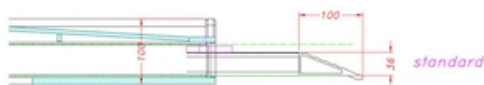


OVP210.1100 - 2 pull-out ramps 1100 mm - without alu profiles

OVP210.X - 2 pull-out ramps ...mm - without alu profiles



OVP212.1100 - 2 pull-out ramps 1100 mm + alu top profiles



OVP212.X - 2 pull-out ramps ...mm + alu top profiles

OVU050.A10 - Execution A10 on DH-VO.25

OVU050.B10 - Execution B10 on DH-VO.25/30

OVU050.C10 - Execution C10 on DH-VO.25/30

OVU050.D10 - Execution D10 on DH-VO.25/30

OVU050.E10 - Execution E10 on DH-VO.25/30

OVU051.G08 - Execution G08 on VB...D3

