

Slider lift DH-S07.20

1500 - 2000 Kg



DHOLLANDIA



Double folded platform for vehicles with very short overhang

The slider lifts DH-SO... are equipped with a double folded platform, that rests on top of the lift arms when the lift is stowed away in its travel position. This compact construction is perfectly fit for installation on vehicles with **very short overhang** (e.g. semi-trailers with rear steering axle). Its platform is made of **2 light-weight aluminium sections**, to **maximize the pay-load** of the vehicle and make the manual folding and unfolding of the platform as easy as possible for the operator.

The DH-S07 is lighter than the DH-S06 and offers more ground clearance, but requires 50 mm more overhang for an equivalent platform depth. It is designed for **general purpose distribution and parcel delivery**.

Both the DH-S06 and DH-S07 offer 1500-2000 kg lift capacity, and are suitable for heavy-duty trucks from 10-25T GVW, trailers and semi-trailers.



PLATFORM

- Weight-saving full aluminium platform (base section + foldable point)
- Synthetic rollers for the contact between the platform and the ground
- The folding and unfolding of the platform are assisted by powerful torsion springs

FUNCTIONAL & MECHANICAL CHARACTERISTICS

- Conical / wedge platform. Level ride with automatic tilt at ground level
- Platform tilt adjustable at any position from the exterior controls
- Standard frame [S07.20.03] with pump unit on side; or special frame for even shorter mounting space [S07.20.04 - see option OAU013] with pump unit in mid position

HYDRAULICAL CHARACTERISTICS

- 2 lift and 2 tilt cylinders for maximum platform stability
- Electrical safety valves on all cylinders
- Manual emergency operation on all electrovalves
- Cylinder piston rods in hard-chromed stainless steel
- Pump unit 12V or 24V DC, accessible on 5 sides for easy maintenance
- Hydraulic retraction by means of a hydromotor + gearwheel system [OAH022]

ELECTRICAL CHARACTERISTICS

- Exterior control box with main battery isolator switch and removable key [OAE030.BT.0]
- Electrical controls without sensitive electronic components
- Safe exterior controls with compulsory 2-hand operation
- Electric motor with thermal cut-out fuse

FITTING

- Truck: aluminium sliding tubes with bolt-on mounting brackets for quick fitting to truck chassis
- (Semi) Trailer: aluminium sliding tubes with adjustable mounting clamps for quick fitting on (semi-) trailer chassis
- Compact lift frame and a double-folded platform for mounting in a very short mounting space

FINISH & MAINTENANCE

- Low-maintenance bearings in all articulation points, plus grease nipples
- Lift frame in hot-dip zinc plated or "galvanised" finish. Best possible protection against corrosion [OAT104].
- Alu platform or platform sections in natural finish

Disclaimer: data and images of lifts and options are indicative, and may vary in function of the lift execution and vehicle details. Ask confirmation from DHOLLANDIA.



TECHNICAL CHARACTERISTICS

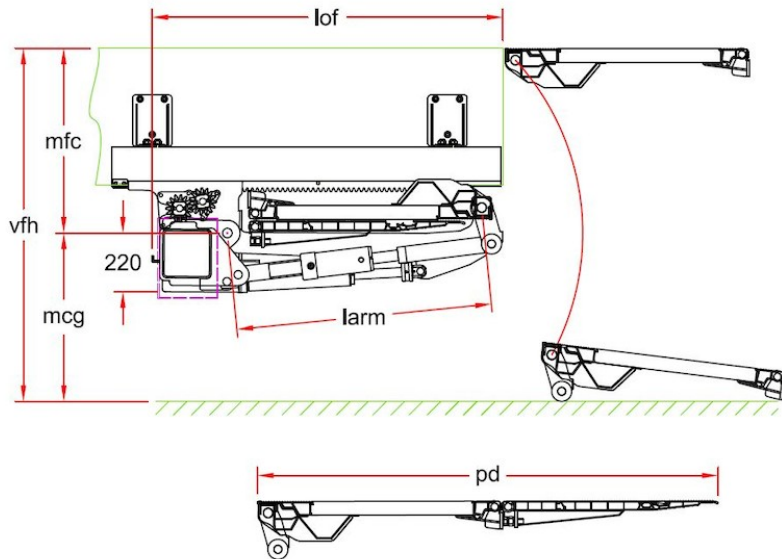
DH-SO7.20

Lift frame	- Standard: 180 x 180 mm - Option OAU013: compact special frame
Cylinders	2 lift cylinders + 2 tilt cylinders
Retraction in/out	Hydromotor + gear wheel system
Type of ride	Wedged platform. Level ride + automatic tilt at ground level
Platform material	Alu / Alu
Standard platform depths	1600 - 1700 - 1800 mm
Standard platform widths	- 2300 - 2400 mm - Other widths on request [OAP603]
Lift arm lengths	800 - 900 - 1000 mm
Lift arm widths	800 - 1300 - 1450 - 1550 mm
Standard control unit	OAE030.BT
Standard finish of the lift frame	Hot-dip zinc plated finish [OAT104]

MOUNTING DIMENSIONS

DH-SO7.20

	800	900	1000
larm			
vfh max.	1305	1420	1600
mfc max.	655	710	790
mcg max.	650	710	810
lof	1130	1230	1330
lof OAU013	-90	-90	-90
pd max.	1400	1600	1800
pd min.	1400	1600	1600

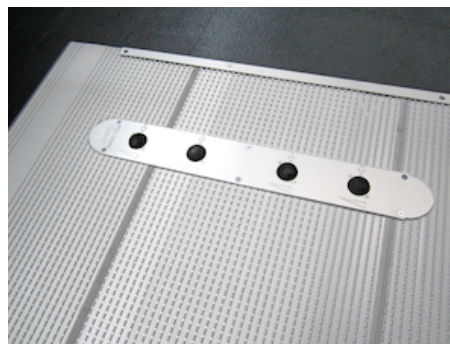




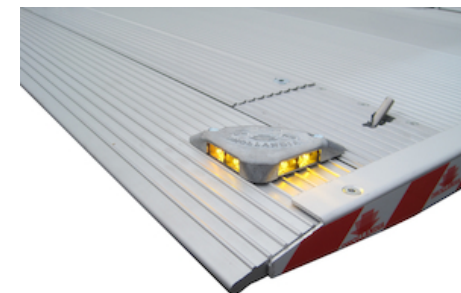
OAE001 - 2-button wander lead with spiral cable



OAE030.BT.0 - Exterior joystick control box + main battery isolator switch (+ turn switch)



OAE060 - 4-button foot controls in the platform



OAE200 - Flashing platform lights



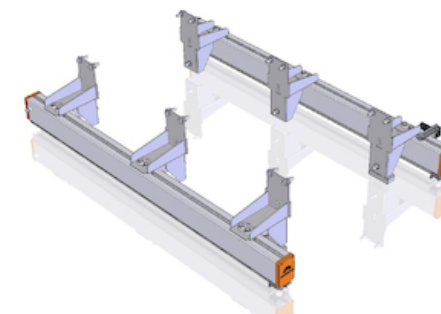
OAE503.1 - Cabin switch (single use)



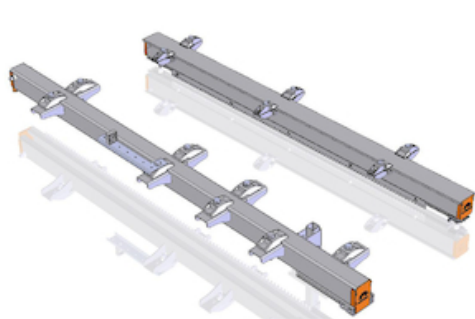
OAE503.2 - Cabin / dashboard switch



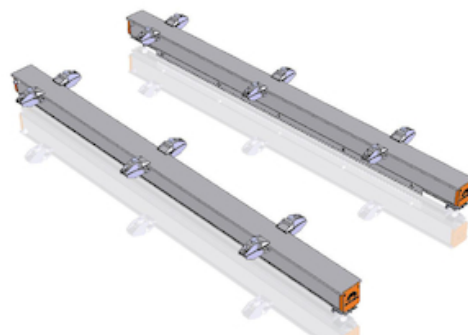
OAM027 - Bracket for mounting of control box on slide tube



OAM030 - Slide tubes for SIDE mounting



OAM031 - Slide tubes for UNDER mounting with clamps



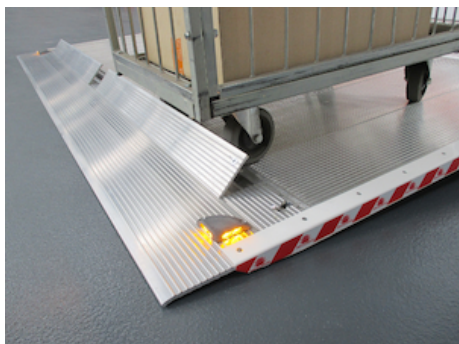
OAM032.A - Slide tubes DH-S* in ALUMINIUM

OAM039 - Rubber buffer on underside of platf. fixed part



OAP100.M - 2-piece symm. roll-stops in the platform point - MANUAL





OAP100.A - 2-piece symm. roll-stops in the platform point - AUTOMATIC



OAP601 - Fixed part of folding platform in ALU instead of steel



OAP603 - Non-standard width for foldable platform



OAP620 - Platform lock DH-S... with steel rope



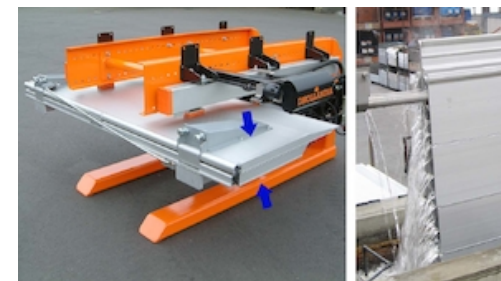
OAF151 - Side bumper sections on DH-SO...



OAT020 - Reflecting platform flags type TÜV



OAT023 - Reflecting platform flags type Export Red



OAT136 - Anodisation alu base section + point DH-S and DH-R



OAU100 - Control box on L side (R steering wheel for UK)

OAU013 - Suppl. S07.20.04 (shortest overhang)

