

PK COMPACT CRANES

PALFINGER CRANE



ECONOMICAL, COMPACT CRANES
FOR LIGHT COMMERCIAL VEHICLES



MINIMAL DEAD WEIGHT AND YET GREAT OUTREACH

Load holding valves

Load holding valves prevent the crane booms from dropping. They are protected from being damaged and fitted as standard on the main boom cylinder, the extension boom cylinders, and the swivel cylinder.



Controls

Hydraulically proportional steering valves with five steering functions and a hydraulic emergency stop button are standard features. The PALFINGER counter steering makes it possible to steer the crane from both sides of the truck.



Main components

All main components are produced from high strength steel. The boom extensions are hexagonal in shape and are welded together.



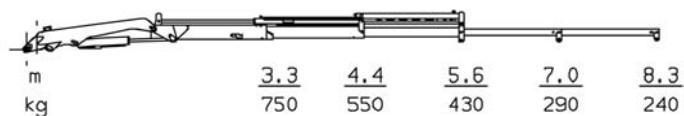


Compressed power

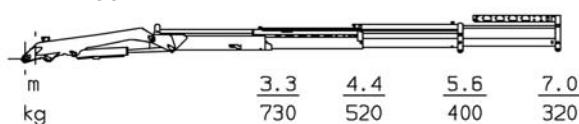
The smallest crane of the compact series is robust, has a long product life, and is available in a numerous variations.

PK 2200 Compact		
Technical Data (EN 12999)		
Max. lifting moment	2.1 mt/21.0 kNm	15480 ft.lbs
Max. lifting capacity	750 kg	1650 lbs
Max. hydraulic outreach	7.0 m	22' 12"
Slewing angle	368°	
Max. operating pressure	200 bar	2900 psi
Recommended pump capacity	10 l/min	2.2 imp.gal./min 2.6 US gal./min
Dead weight	545 kg	1200 lbs

PK 2200 A – V1, V2



PK 2200 B



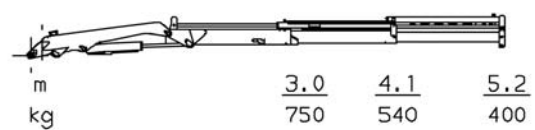


The dead weight champ

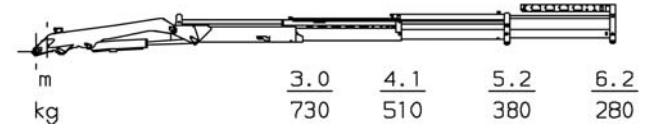
The lightest in its class and thanks to this lightweight is the ideal crane for light commercial vehicles. Its strengths lie in loading and unloading especially where building materials or landscaping is concerned.

PK 2700 Compact		
Technical Data (EN 12999)		
Max. lifting moment	2.6 mt/25.6 kNm	18870 ft.lbs
Max. lifting capacity	750 kg	1650 lbs
Max. hydraulic outreach	6.20 m	20' 4"
Slewing angle	360°	
Max. operating pressure	190 bar	2755 psi
Recommended pump capacity	8 l/min	1.8 imp.gal./min 2.1 US gal./min
Dead weight	370 kg	820 lbs

PK 2700 A



PK 2700 B



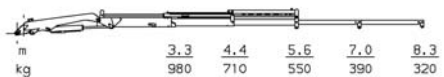


The all-rounder

The PK 3200 is the perfect universal-crane and has the greatest hydraulic outreach in its class. A wide range of equipment variations open up a whole realm of job applications.

PK 3200 Compact		
Technical Data (EN 12999)		
Max. lifting moment	3.2 mt/31.0 kNm	22860 ft.lbs
Max. lifting capacity	980 kg	2160 lbs
Max. hydraulic outreach	8.30 m	27' 3"
Slewing angle	368°	
Max. operating pressure	200 bar	2900 psi
Recommended pump capacity	10 l/min	2.2 imp.gal./min
Dead weight	550 kg	1210 lbs

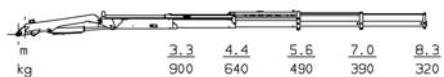
PK 3200 A – V1, V2



PK 3200 B – V1



PK 3200 C





The powerhouse

No job is too hard for this machine thanks to its great lifting capacity. Moreover, this crane is perfect for grab and rotator application.

PK 4100 Compact		
Technical Data (EN 12999)		
Max. lifting moment	4.0 mt/39.0 kNm	28750 ft.lbs
Max. lifting capacity	990 kg	2180 lbs
Max. hydraulic outreach	8.40 m	27' 7"
Slewing angle	368°	
Max. operating pressure	200 bar	2900 psi
Recommended pump capacity	15 l/min	3.3 imp.gal./min
		4.0 US gal./min
Dead weight	705 kg	1550 lbs

PK 4100 A – V1, V2

m	3.3	4.5	5.8	7.1	8.4
kg	990	870	660	490	420

PK 4100 B – V1

m	3.3	4.5	5.8	7.1	8.4
kg	990	860	650	510	420

PK 4100 C

m	3.3	4.5	5.8	7.1	8.4
kg	990	820	620	490	420

COMPACT AND STRONG

Internally routed oil ducts

The internally routed oil passages make it possible to have a compact boom design and offer perfect protection against damage.

Outreach

The PK 3200 and the PK 4100 are available up to four hydraulic boom extensions. This enables a max. outreach of up to 8.4 m (27' 7").

Hydraulic overload protection system

A hydraulic overload protection is optional. It prevents in an overload situation every load moment increasing functions.

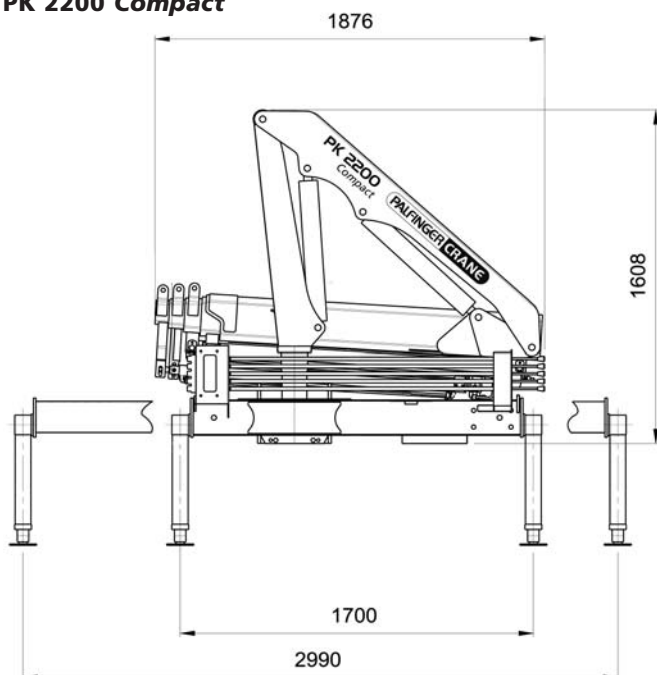
Outriggers

All cranes (optional on the PK 2700) come with tiltable stabilizer rams and with a patented stabilizer ram extension. This provides even more safety especially on uneven or difficult terrain.

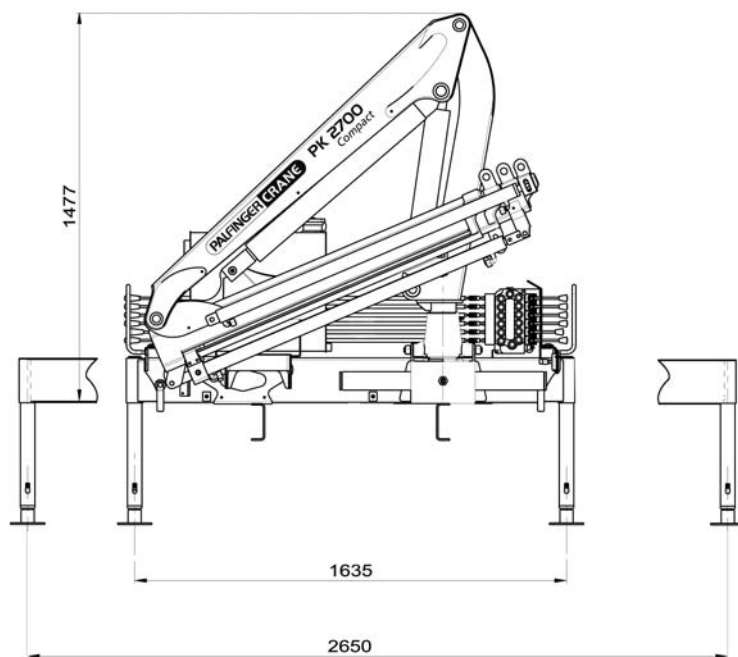


GREAT OUTREACH FOR DEMANDING TASKS

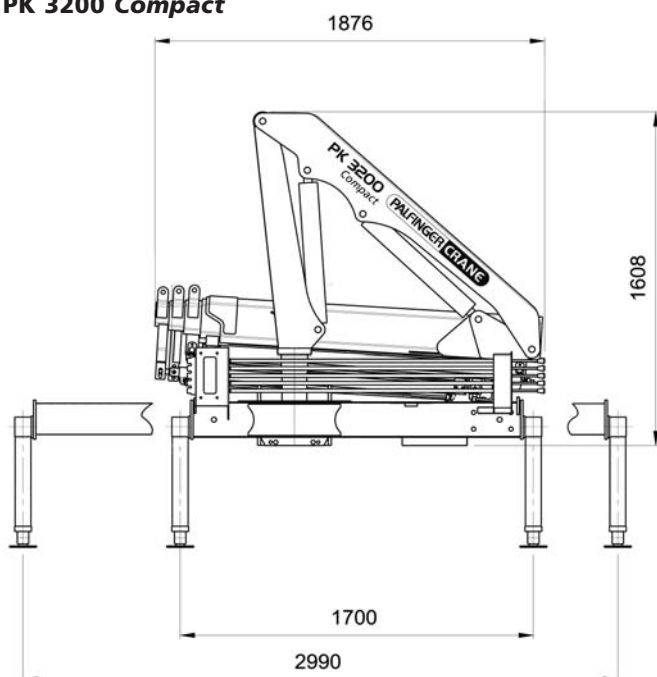
PK 2200 Compact



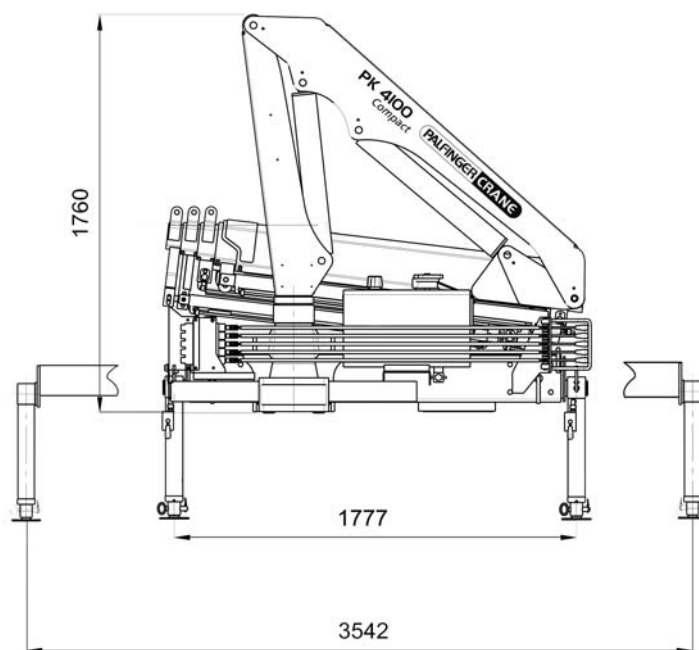
PK 2700 Compact



PK 3200 Compact



PK 4100 Compact



Executions shown in the leaflet are not always corresponding to standard execution. Country-specific regulations are to be observed upon attachment.



We reserve the right to change design and specification without prior notice.

KP-PKCOMPSAMMM2+E, 05/06

www.palfinger.com